

# Franke Fuji Pull Out Nozzle Version 1 Tap

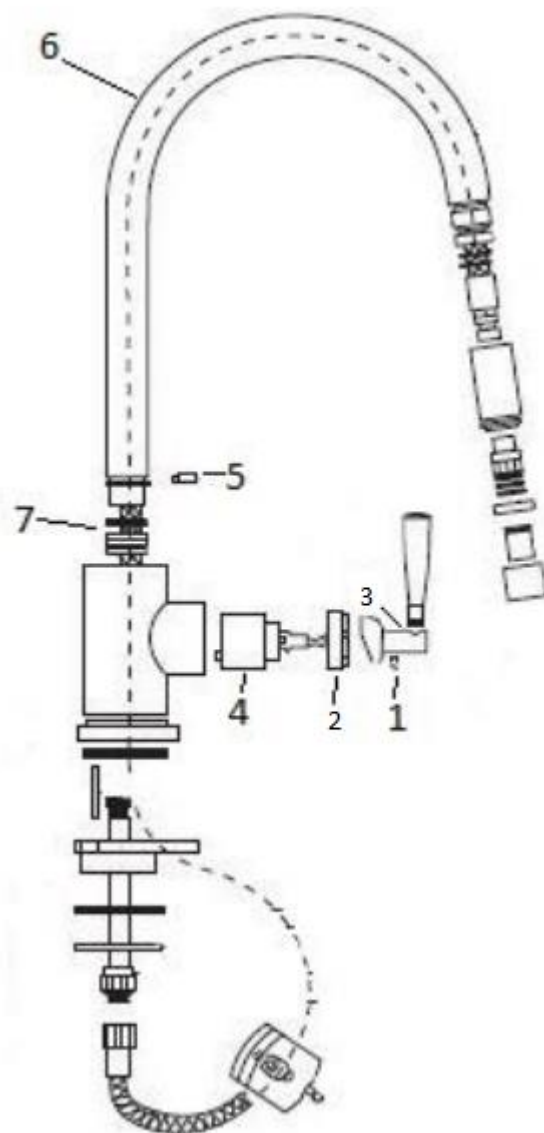
## Replacing Cartridges & O Rings

### Replacing the cartridge

Before replacing the cartridge, you will need to turn the water off. You will need to remove the handle retaining screw (1) by using a 2mm allen key. Once this is removed, you'll need to unscrew the cartridge cover (2). Once this is unscrewed, you will be able to remove the handle (3) from the tap. You can then use an adjustable spanner to unscrew the cartridge locking ring and remove the cartridge (4) and fit the replacements.

### Replacing the o rings

To replace the o rings, you will first need to remove the hose. To do this, unscrew the hose from underneath the tap and pull through from the end of the spout. To replace the o rings, you will need to remove the spout retaining screw (5) by using a 2.5mm allen key. Once the spout (6) is removed, you can replace the o rings (7) with the replacement parts.



Central Services Ltd  
Unit 17 Park Hall Business Village  
Park Hall Road  
Stoke-on-Trent  
ST3 5XA

01782 599258  
[ks-ukcentralservices.gb@franke.com](mailto:ks-ukcentralservices.gb@franke.com)

*Make  
it  
Wonderful*

**FRANKE**